

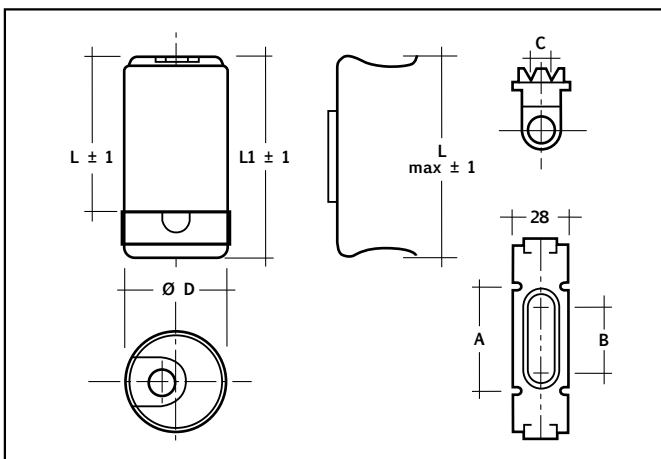
K13 TYPE MOTOR START

RoHS Compliant

- Surge-proof electrolytic capacitor in plastic case.
- Poles brought out to single or double fast-on terminals
- Normally supplied with end cup.
- On request: bipolar cable, discharge resistance, metal mounting bracket, with or without cover.

APPLICATIONS

Non polarized capacitor especially designed for intermittent A.C. voltage applications at 50-60 Hz for single phase motor starting.



	Case			Bracket		
	Ø est. mm.	L mm.	L1 mm.	Lmax mm.	A mm.	B x C mm.
A2	38	85.7	98.4	104	53	37 x 6.1
B2	46	85.7	98.4	104	53	37 x 6.1

SPECIFICATIONS

Operating Temperature Range	(Operating) -25°C +75°C (Storage) -40°C +85°C
Working Voltage Range	from 125V AC to 320V AC
Capacitance Range	from 25 µF to 800 µF
Capacitance Tolerance	-0% +25% or ±10%
Tan δ (Dissipation loss angle)	Measurement frequency: 100 Hz, temperature 20°C Value shall not exceed 0.10 and shall be calculated as follows: $\tan d = W / (V \times I) = (\text{true watts} / \text{apparent watts})$
Capacitance Measurement	Capacitance shall be determined by measuring the current (after 2÷3 seconds of energising) through the capacitors at rated voltage and frequency. The capacitance is defined from the following formula: $C = (I \times 10^6) / 2 \pi \times f \times V$ C = capacitance in µF I = current in Amperes π = 3.14 constant f = frequency in Hz V = applied AC voltage in Volt
Working condition	The standard time rating defined of the IEC 252 is 1.67% or 1/60 th full time and corresponds to a duty cycle of 3 seconds on and 177 seconds off. Alternative customer duty is available on request.
Endurance test	500 hours
Electrolyte	All the capacitors of this series have self-extinguishing electrolyte in accordance with IEC EN 60695-11-10
Reference standards	IEC EN 60252-2

K13 TYPE STANDARD RATINGS

RoHS Compliant

Cap µF	PART NUMBER digit_15=0 no cover	PART NUMBER digit_15=1 with cover	PART NUMBER digit_15=2 with cover + bracket	PART NUMBER digit_15=3 with bipolar cable no cover
100-125	K1312510000000B2	K1312510000001B2	K1312510000002B2	K1312510000003B2
125-160	K1312512500000B2	K1312512500001B2	K1312512500002B2	K1312512500003B2
160-200	K1312516000000B2	K1312516000001B2	K1312516000002B2	K1312516000003B2
200-250	K1312520000000B2	K1312520000001B2	K1312520000002B2	K1312520000003B2
250-315	K1312525000000B2	K1312525000001B2	K1312525000002B2	K1312525000003B2
315-400	K1312531500000B2	K1312531500001B2	K1312531500002B2	K1312531500003B2
600	K1312560000000B2	K1312560000001B2	K1312560000002B2	K1312560000003B2
800	K1312580000000B2	K1312580000001B2	K1312580000002B2	K1312580000003B2

VOLTAGE

125VAC

Cap µF	PART NUMBER digit_15=0 no cover	PART NUMBER digit_15=1 with cover	PART NUMBER digit_15=2 with cover + bracket	PART NUMBER digit_15=3 with bipolar cable no cover
25-31	K1325002500000B2	K1325002500001B2	K1325002500002B2	K1325002500003B2
31-40	K1325003100000B2	K1325003100001B2	K1325003100002B2	K1325003100003B2
40-50	K1325004000000B2	K1325004000001B2	K1325004000002B2	K1325004000003B2
50-63	K1325005000000B2	K1325005000001B2	K1325005000002B2	K1325005000003B2
63-80	K1325006300000B2	K1325006300001B2	K1325006300002B2	K1325006300003B2
80-100	K1325008000000B2	K1325008000001B2	K1325008000002B2	K1325008000003B2
100-125	K1325010000000B2	K1325010000001B2	K1325010000002B2	K1325010000003B2
125-160	K1325012500000B2	K1325012500001B2	K1325012500002B2	K1325012500003B2
160-200	K1325016000000B2	K1325016000001B2	K1325016000002B2	K1325016000003B2
200-250	K1325020000000B2	K1325020000001B2	K1325020000002B2	K1325020000003B2
250-315	K1325025000000B2	K1325025000001B2	K1325025000002B2	K1325025000003B2
315-400	K1325031500000B2	K1325031500001B2	K1325031500002B2	K1325031500003B2
400	K1325040000000B2	K1325040000001B2	K1325040000002B2	K1325040000003B2
500	K1325050000000B2	K1325050000001B2	K1325050000002B2	K1325050000003B2

VOLTAGE

250VAC

Cap µF	PART NUMBER digit_15=0 no cover	PART NUMBER digit_15=1 with cover	PART NUMBER digit_15=2 with cover + bracket	PART NUMBER digit_15=3 with bipolar cable no cover
25-31	K1332002500000B2	K1332002500001B2	K1332002500002B2	K1332002500003B2
31-40	K1332003100000B2	K1332003100001B2	K1332003100002B2	K1332003100003B2
40-50	K1332004000000B2	K1332004000001B2	K1332004000002B2	K1332004000003B2
50-63	K1332005000000B2	K1332005000001B2	K1332005000002B2	K1332005000003B2
63-80	K1332006300000B2	K1332006300001B2	K1332006300002B2	K1332006300003B2
80-100	K1332008000000B2	K1332008000001B2	K1332008000002B2	K1332008000003B2
100-125	K1332010000000B2	K1332010000001B2	K1332010000002B2	K1332010000003B2
125-160	K1332012500000B2	K1332012500001B2	K1332012500002B2	K1332012500003B2
160-200	K1332016000000B2	K1332016000001B2	K1332016000002B2	K1332016000003B2
200-250	K1332020000000B2	K1332020000001B2	K1332020000002B2	K1332020000003B2
250-315	K1332025000000B2	K1332025000001B2	K1332025000002B2	K1332025000003B2

VOLTAGE

320VAC

Note: P/N code B2 as example