

Customer: Richter Kondensatoren

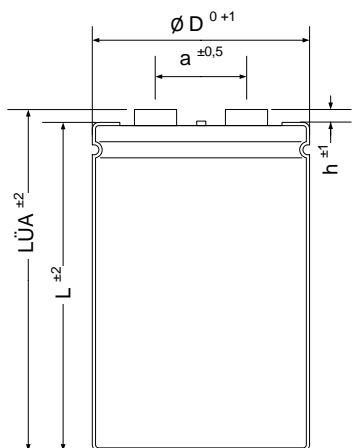
Drawing No. : 1012911-50622

Page 1 / 2

created: BP 19/12/2017 11:30:00

**Typ : GMAE25240045100**

**RoHS Compliant**



$\varnothing D$  : 45 mm  
 L : 100 mm  
 a : 18 mm  
 h : 5 mm  
 LÜA : 106 mm

Terminals : M5

Max. torque:  
 Terminals: M5: 2,0 Nm , M6: 2,5 Nm

**Electrical Parameters**

Rated Capacitance ( $C_R$ ) @ 100 Hz / 20 °C	<b>2 500</b> $\mu\text{F}$	
Tolerance	<b>± 10</b> %	
Rated Voltage ( $U_R$ )	<b>400</b> V	
Surge Voltage ( $U_S$ ) max. 5 x 1 min / h	<b>420</b> V	
Reverse Voltage ( $U_U$ ) max. 1 s	<b>2</b> V	
Leakage Current ( $I_L$ ) @ $U_R$ / 5 min / 20 °C	<b>6</b> $\mu\text{A}$	
ESR typ. @ 100 Hz / 20°C	<b>25</b> m $\Omega$	
Tan $\delta$ typ. @ 100 Hz / 20°C	<b>4</b> %	
Z max. @ 10 kHz / 20°C	<b>50</b> m $\Omega$	
ESL typ.	<b>20</b> nH	
Rated Ripple Current ( $I_R$ ) @ 100 Hz / 70 °C	<b>5,2</b> A	
Useful life @ $I_R$ , $U_R$ , 70 °C	<b>2000</b> h	
IEC Climatic category / Standards	<b>40/070/56</b>	<b>IEC 60384-4</b>
Applications	flash application	
Your article No. / Project	1007408	Haag Streit AG

Customer: Richter Kondensatoren

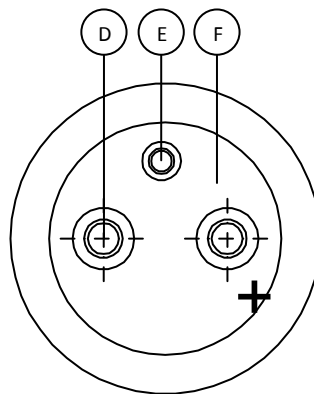
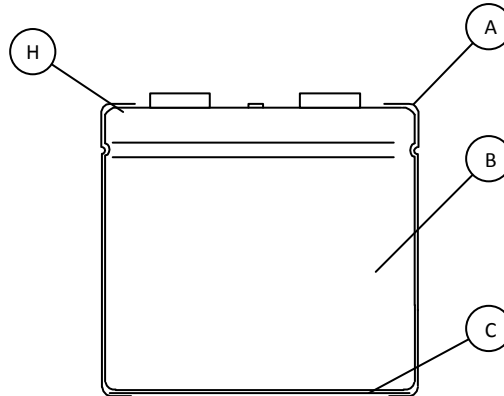
Drawing No. : 1012911-50622

Page 2 / 2

created: BP 19/12/2017 11:30:00

**Typ : GMAE25240045100**

**RoHS Compliant**



Detail	Part Name	Material	Conform to UL test
A	Insulation Sleeve	PVC	UL 224 VW-1
B	Can	Aluminium	n.a.
C	Insulation Pad	PVC	-
D	Terminal	Aluminium 99,9 %	n.a.
E	Safety Vent "Grey"	Silicon Rubber	UL 94 HB
F	Deck	PA 66 B2030/09 GF 30	UL 94 HB