

Customer: Richter Kondensatoren

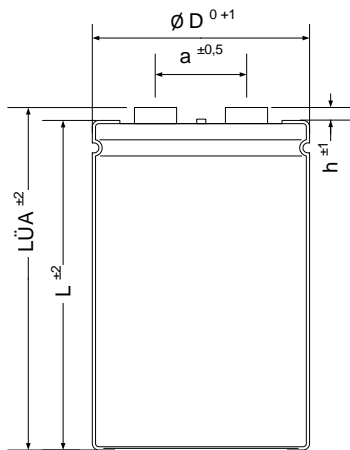
Drawing No. : 1015929-50622

Page 1 / 2

created: BP 19/12/2017 20:36:00

Typ : SKS65035035070

RoHS Compliant



$\varnothing D$: 35 mm
 L : 70 mm
 a : 13 mm
 h : 5 mm
 LÜA : 76 mm

Terminals : M5

Max. torque:
 Terminals: M5: 2,0 Nm , M6: 2,5 Nm

Electrical Parameters

Rated Capacitance (C_R) @ 100 Hz / 20 °C	65 μ F	
Tolerance	± 10 %	
Rated Voltage (U_R)	250 Vac	when used as a thrust capacitor
duty cycle	Depending on the charging elko package and the installation situation / cooling. Must be determined by experiments in the application.	
ESR typ. @ 100 Hz / 20°C	500 m Ω	
Tan δ typ. @ 100 Hz / 20°C	2,5 %	
Z max. @ 10 kHz / 20°C	500 m Ω	
ESL typ.	20 nH	
Rated Ripple Current (I_R) @ 100 Hz / 70 °C	1,5 A	
Useful life @ I_R , U_R , 70 °C	2000 h	
IEC Climatic category / Standards	40/070/56	IEC 60384-4
Applications	bipolar thrust elko used in flash applications	
Your article No. / Project	1007409	Haag Streit AG

Customer: Richter Kondensatoren

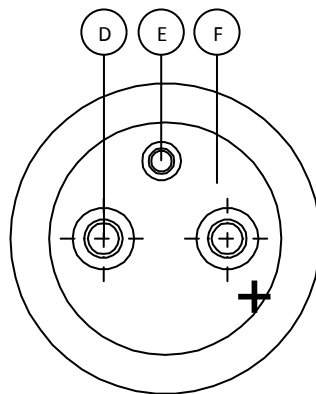
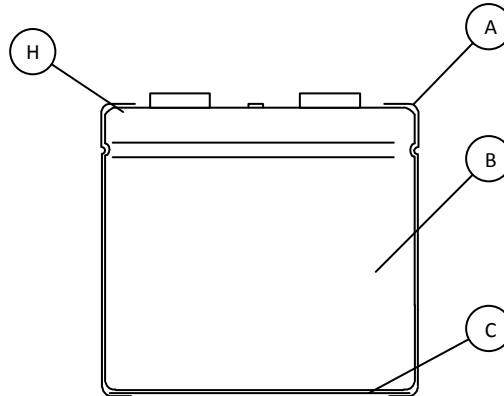
Drawing No. : 1015929-50622

Page 2 / 2

created: BP 19/12/2017 20:36:00

Typ : SKS65035035070

RoHS Compliant



Detail	Part Name	Material	Conform to UL test
A	Insulation Sleeve	PVC	UL 224 VW-1
B	Can	Aluminium	n.a.
C	Insulation Pad	PVC	-
D	Terminal	Aluminium 99,9 %	n.a.
E	Safety Vent "Grey"	Silicon Rubber	UL 94 HB
F	Deck	PA 66 B2030/09 GF 30	UL 94 HB